

# ANCHOR

## EBV PCR Kit

- Quick Guide -



### General Recommendation

Carefully read instructions for use

### Kit Components



100

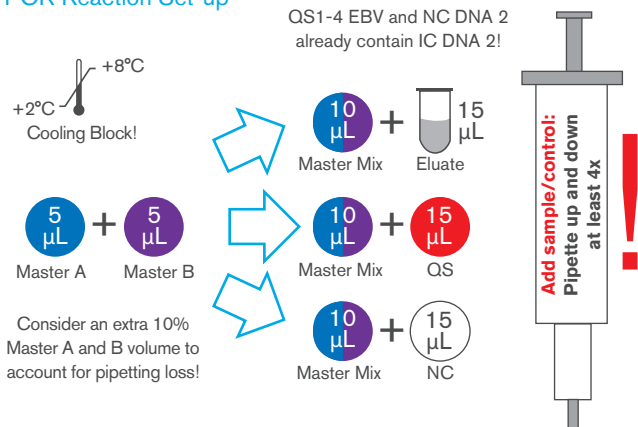
Master A EBV	Master B EBV	IC DNA 2	! QS1-4 EBV	! NC DNA 2
4 Vials	4 Vials	1 Vial	1 Vial each	1 Vial
4x 125 $\mu$ L	4x 125 $\mu$ L	1000 $\mu$ L	200 $\mu$ L	200 $\mu$ L

**! INTERNAL CONTROL INSIDE !**

### Internal Control

IC DNA 2 as Purification Control → Add 10% of the elution buffer volume to the sample/lysis mixture (refer to section „Sample Preparation“ in the Instructions for Use for details).

### PCR Reaction Set-up



## Cycler Settings

Reaction volume: 25 µL

Instrument	EBV	IC DNA 2
LightCycler 480 II	465/510	533/580
Cobas z 480	465/510	540/580
Bio-Rad CFX 96	FAM	HEX
Rotor-GeneQ	Green	Yellow
QuantStudio 5	FAM	HEX

Temperature Profile		
95°C	1 sec	x 40
65°C *	2 sec	
72°C	1 sec	

Instrument	EBV	IC DNA 2
Mic qPCR	Green	Yellow
Select „Standard TAO“ - Run Profile / Temperature Control		

Temperature Profile		
95°C	1 sec	x 40
63°C *	2 sec	
72°C	1 sec	

\* Fluorescence acquisition EBV and IC

## Storage

- The Anchor EBV PCR Kit should be stored at -30 to -15°C.
- Repeated thawing and freezing of the Master reagents of > 3x should be avoided.
- Due to the components used it might be possible that Master vials do not always freeze completely after initial thawing. This is not a matter of concern and does not influence the stability or performance of the assay.
- If the reagents are to be used only intermittently, they should be frozen in aliquots.
- During PCR set up the reagents should be kept cooled at +2 to +8°C - Cooling Block!
- Do not store Master A and B EBV more than 3 h at +2 to +8°C.
- Protect all reagents from extensive light exposure.

**REF** A1400

**QG** A1411-UK – 25.05.2022

### Contact

Anchor Diagnostics GmbH  
Grandweg 64  
D-22529 Hamburg

### Support

+49 40 520 14 830  
support@anchor-diagnostics.com